



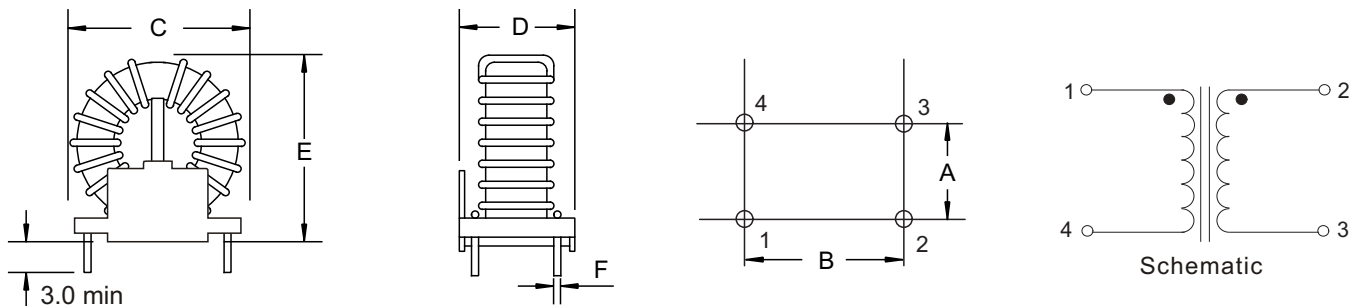
Features

- Low cost
- Dielectric strength: 1500 Vrms
- Fixed pin spacing allow easy PCB insertion
- Operating temperature: -55 to +105°C
- Custom Designs Available

Application

- DC/DC, AC/DC line noise suppression
- Automotive Systems
- Communication System

► Dimensions & Configurations (Unit:mm)



Type	A	B	C	D	E	F
CMT2238	22.86	38.10	52.07	30.48	58.00	1.20

► Electrical Characteristics For CMT2238 Series

Part Number	Inductance (min) [mH]	Rated Current [A]	DCR(max) [Ω]	Leakage Inductance [uH] Typical
CMT2238-6R0Y	6	18	0.028	100
CMT2238-100Y	10	15	0.033	120
CMT2238-150Y	15	9	0.060	180
CMT2238-220Y	22	6	0.117	180
CMT2238-330Y	33	4.2	0.124	450
CMT2238-720Y	72	2.6	0.500	600
CMT2238-121Y	120	1.5	1.150	900

1. Inductance is per winding, tested at 10KHz 0.1V
2. Leakage inductance is measured from pin 1 to pin 4 with pins 2 and 3 shorted
3. Electrical specifications at 25°C