



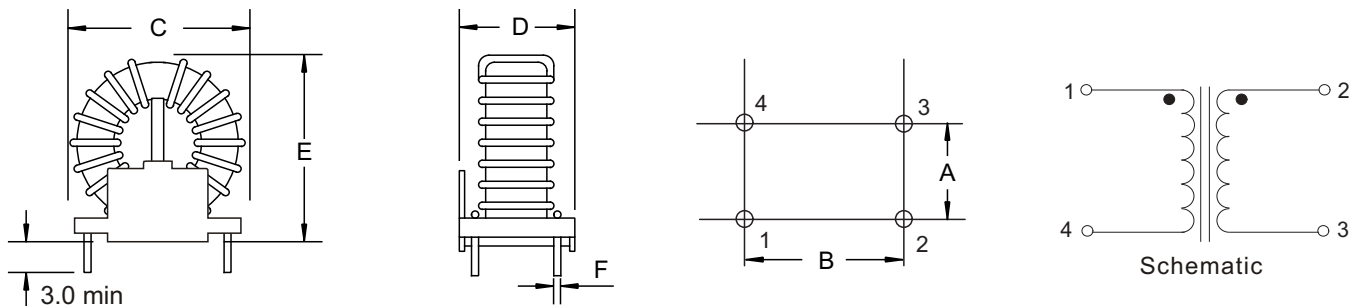
Features

- Low cost
- Dielectric strength: 1500 Vrms
- Fixed pin spacing allow easy PCB insertion
- Operating temperature: -55 to +105°C
- Custom Designs Available

Application

- DC/DC, AC/DC line noise suppression
- Automotive Systems
- Communication System

► Dimensions & Configurations (Unit:mm)



Type	A	B	C	D	E	F
CMT1522	15.24	22.86	36.83	22.86	33.50	1.20

► Electrical Characteristics For CMT1522 Series

Part Number	Inductance (min) [mH]	Rated Current [A]	DCR(max) [Ω]	Leakage Inductance [uH] Typical
CMT1522-1R2Y	1.2	15	0.010	12
CMT1522-2R0Y	2	8.7	0.020	25
CMT1522-3R0Y	3	6.5	0.054	35
CMT1522-4R0Y	4	5.4	0.105	45
CMT1522-8R0Y	8	3.5	0.143	85
CMT1522-100Y	10	3.0	0.350	130
CMT1522-160Y	16	2.2	0.400	180

1. Inductance is per winding, tested at 10KHz 0.1V
2. Leakage inductance is measured from pin 1 to pin 4 with pins 2 and 3 shorted
3. Electrical specifications at 25°C