



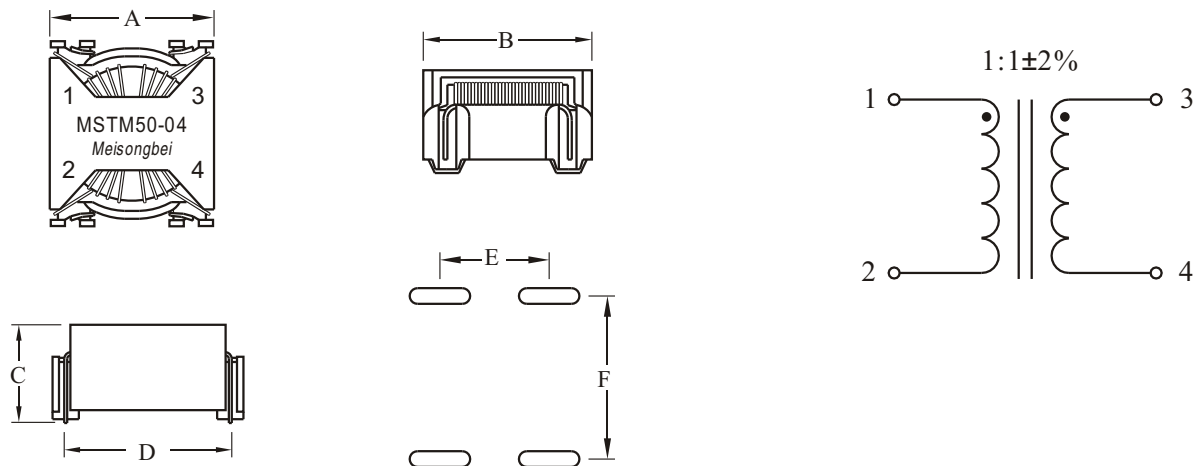
### Features

- Toroid core
- SMD Construction
- High Reliability
- Low Profile

### Applications

- Common mode choke for power application
- Filter and Noise Suppression
- Automotive Systems
- Network Systems
- Computer Peripheral Equipment
- DC/DC, AC/DC converter

## ► Dimensions & Configurations (Unit:mm)      ► Schematic



Type	A (max)	B (max)	C (max)	D	E	F
MSTM37	14.22	16.38	8.89	13.21	8.64	13.46
MSTM50	17.02	19.56	9.90	16.51	11.30	16.76

## ► Electrical Characteristics For MSTM37/50 Series

Part Number	Inductance(min) [mH]	Test Freq [KHz]	DCR(max) [mΩ]	IDC(max) [A]
MSTM37-01	6.00	10	450	1.00
MSTM50-01	0.60	10	50	3.60
MSTM50-02	0.59	10	21	5.60
MSTM50-03	1.32	10	60	3.30
MSTM50-04	1.47	10	80	2.80

Note: Design as Customer's Requested Specifications.